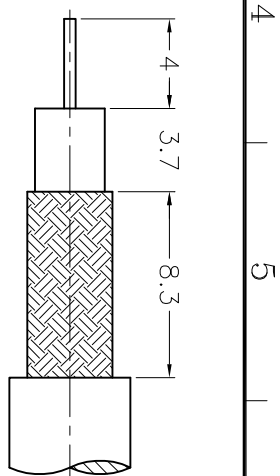
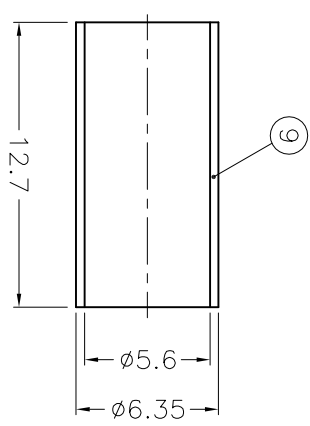
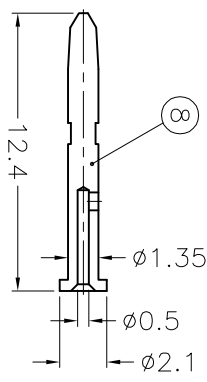
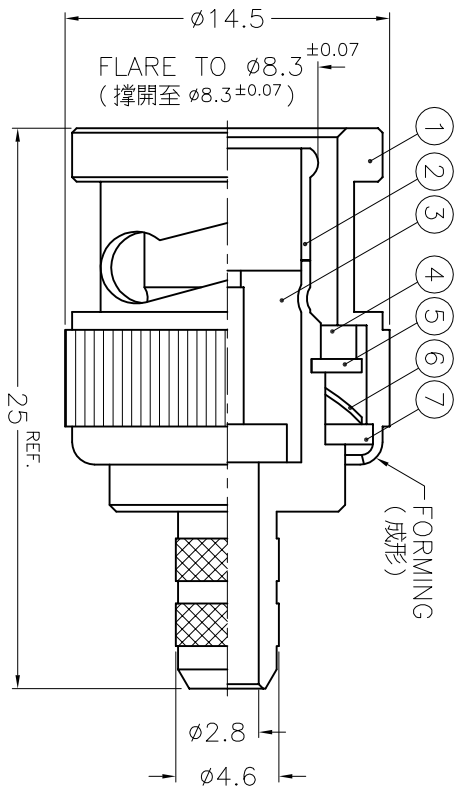


1		2		3	
ISS	ZONE	REVISIONS			
		DESCRIPTION \ PER REQUEST \ DATE			



RECOMMENDED  
CABLE STRIPPING DIM'S  
(建議剝線尺寸)



NOTES: FINISH (PLATING THICKNESS IN MICRO-INCHES)  
 1. BRASS PER 00-B-626  
 2. BRASS PER 00-B-613  
 3. NICKEL PL. 100 MIN. THICK OVER COPPER STRIKE  
 4. NICKEL PL. 200 MIN. THICK OVER COPPER STRIKE  
 5. GOLD PL. 3 MIN. THICK OVER NICKEL PL. 100 MIN. THICK OVER COPPER STRIKE  
 6. TEFLON MIL-P-19468  
 7. JIS H 3250, C 2700

1. CRIMPED FERRULE  
 HEX CRIMP SIZE .213"  
 2. CRIMPED CONTACT PIN  
 SQ. CRIMP SIZE .043"

NO.	DESCRIPTION	MATERIAL	FINISH	Q'TY	DRAWING NO.
1	SHELL	NOTE 1	NOTE 3	1	BS0000-1-B
2	BODY	NOTE 1	NOTE 3	1	BS0000-2-46/ 28
3	INSULATOR	NOTE 6	NATURAL	1	10-03001-204- 3-A
4	GASKET	RUBBER	RED	1	GS-115/8X15
5	RETAINER RING	NOTE 1	NOTE 3	1	BS0000-5
6	SPRING	SK5	NOTE 4	1	BS0000-6
7	WASHER	NOTE 2	NOTE 3	1	WS-128/9X08
8	CONTACT PIN	NOTE 1	NOTE 5	1	10-03001-204- 8-0.5-B
9	FERRULE	NOTE 7	NOTE 3	1	FR-635/56X127

DIMENSIONS ARE IN MILLIMETERS			
UNLESS OTHERWISE SPECIFIED			
TOLERANCES			
0.5-6	= ±0.2		
6-30	= ±0.4		
30-120	= ±0.6		
120-315	= ±1		
315-1000	= ±1.6		
1000-2000	= ±2.4		

PART NO.		APPROVED		DATE	
		CHECKED		DATE	
DRAWN		DATE		DATE	

TITLE		DRAWING NO.	
BNC CRIMP PLUG		KJ-B1121A9-NT3G-2YCCY-75	
FILE NO. F:\DWG\B\1121A9\2YCCY-75\NT3G			

**Amphenol - Kai Jack**  
TAINAN TAIWAN

A

B

C

D

E

F

A

B

C

D

E

F