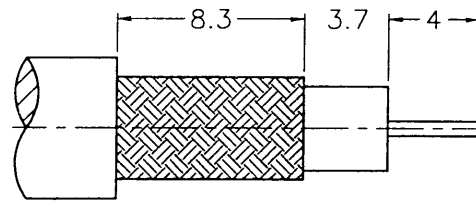
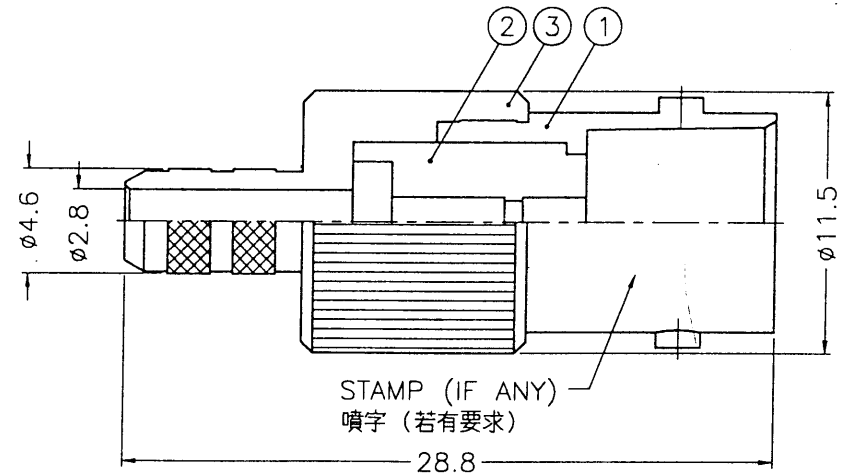
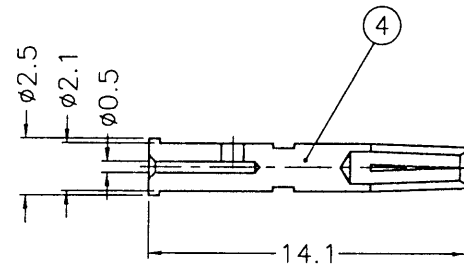
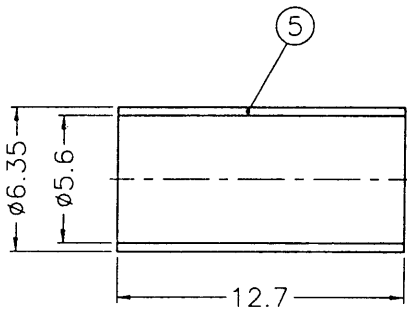


1 2 3 4 5 6 7 8

REVISIONS			
ISS	ZONE	DESCRIPTION\PER REQUEST\DATE	



RECOMMENDED
CABLE STRIPPING DIM'S
(建議剝線尺寸)



STAMP (IF ANY)
噴字 (若有要求)

NOTES: FINISH (PLATING THICKNESS IN MICRO-INCHES)

1. BRASS PER QQ-B-626
2. NICKEL PL. 100 MIN. THICK OVER COPPER STRIKE
3. PHOSPHOR BRONZE PER QQ-B-750
4. GOLD PL. 3 MIN. THICK OVER NICKEL PL. 100 MIN. THICK OVER COPPER STRIKE
5. TEFLON MIL-P-19468
6. JIS H 3250, C 2600

1. CRIMPED FERRULE
HEX CRIMP SIZE .213"
2. CRIMPED CONTACT PIN
SQ CRIMP SIZE .068"

DIMENSIONS ARE IN MILLIMETERS				PART NO.		
UNLESS OTHERWISE SPECIFIED TOLERANCES				APPROVED	DATE	
0.5-6 = ±0.2				<i>Kenly</i>	07-23-03'	
6-30 = ±0.4					CHECKED	DATE
30-120 = ±0.6					<i>Kenly</i>	07-23-03'
120-315 = ±1						DRAWN
315-1000 = ±1.6				ENYA	07-23-03'	
1000-2000 = ±2.4				FILE NO.	F:\DWG\B\6121A1\2YCCY-75\NT3G	

Amphenol	
Danbury,CT,USA-Tainan,Taiwan-Shenzhen,China	
TITLE	BNC CRIMP JACK
DRAWING NO.	B6121A1-NT3G-2YCCY-75
ITEM NO.	

NO.	DESCRIPTION	MATERIAL	FINISH	Q'TY	DRAWING NO.
5	FERRULE	NOTE 6	NOTE 2	1	FR-635/56X127
4	CONTACT PIN	NOTE 3	NOTE 4	1	B74000-8-25/05
3	HOUSING	NOTE 1	NOTE 2	1	HS00AAR---
2	INSULATOR	NOTE 5	NATURAL	1	B74000-3T-75
1	BODY	NOTE 1	NOTE 2	1	B74000-2

F
E
D
C
B
A

F
E
D
C
B
A

1 2 3 4 5 6 7 8