

## 7/16 Female Connector for 7/8" normal cable &amp; low loss cable

## Reference standard IEC60169-4

## I、Electric Performance

Impedance $\Omega$	50
Frequency range	DC-3GHz
Return loss (dB)	$\leq -28$ (DC-3GHz)
Insert loss (dB) (2GHz)	$< 0.05$
PIM (dBm)	$< -112$ (900MHz,1800MHz)
Insulation resistance (M $\Omega$ )	$> 10000$
Screen efficiency (dB)	$> 110$
Work voltage (V)	2700
Power rating (W)	400W@2GHz
Conductor resistance (m $\Omega$ )	outer conductor $< 0.2$ inner conductor $< 0.8$

## II、Mechanical Performance

Retention	$\geq 5.88$ N
Nut torque	20Nm
Mechanical wear (hypo-)	500
Whorl pull	500N
Vibration	IEC68-2-6Fc

## III、Material and plating :

Outer conductor	material: low magnetism C3602	Plating copper tin-zin $> 2 \mu m$
Inner conductor	material: QBe2	Plating silver $> 5 \mu m$
Insulation	material: PTFE	

## IV、Environment

Temp.range	$-55^{\circ}\text{C} \sim +155^{\circ}\text{C}$
Weather standard	IEC 68 55 / 155/ 21
Weaterproofing standard	IP67

## V、Assembly:inner and outer conductor installed

## VI、Product Introduction

## 1.General Information

This connector is used for 7/8" normal cable or 7/8" low loss cable in the field of wireless communication and the impedance is 50  $\Omega$  .

## 2.Packaging and Storage

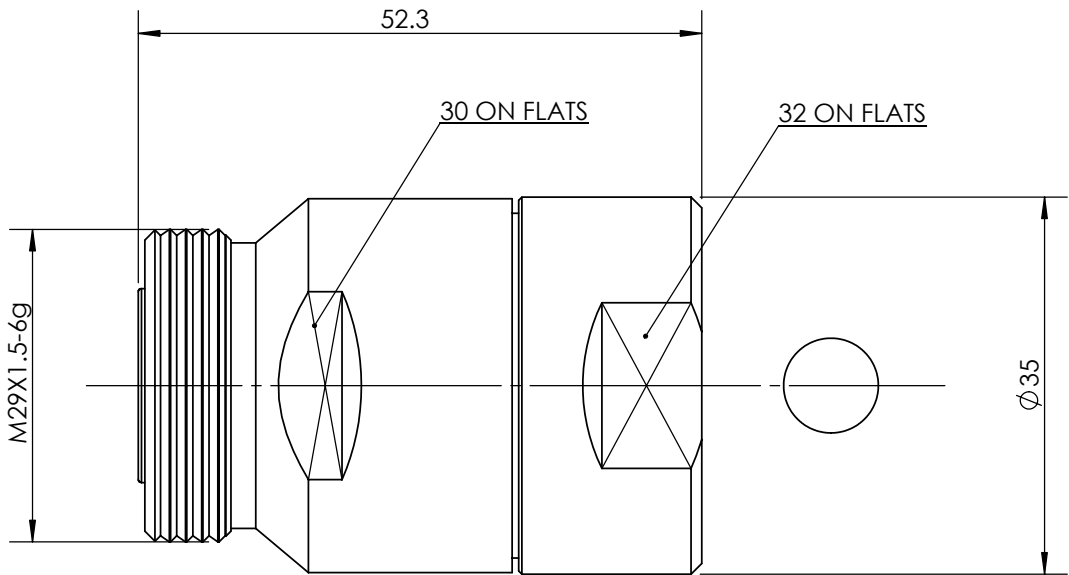
It is packed in special plastic bag, and then it is packed in the small box together with Assembly Instruction. There is a label stocked in the warehouse with environment temp. $-45^{\circ}\text{C} \sim +80^{\circ}\text{C}$  and relative humidity mo more than 80%, without acidic,alkaline or any other corrosive air.

## 3.Match: it matches to the consorted connector with the same type.

绘图Drw		名称Description	图号Drawing No. (品号P/N.)	Ver.
审核Chk		7/16F-7/8" normal & low loss cable	AFB216-3	1
批准App		页码Sheet 1/1		

# Amphenol 常州安费诺福洋通信设备有限公司

Rev No.	修订说明 Revision note:	日期 Date	修订者 Signature	确认 Approved
---------	---------------------	---------	---------------	-------------



产品符合ROHS要求  
ROHS Compliant

绘图 Drw		名称Description		图号Drawing No.(品号P/N)	Ver
审核 Chk		7/16F-7/8"L(通配型)		AFB216-3	1
批准 App		页码Sheet 1/1	单位Metric mm		