

Amphenol

Connector Technology Parameter

一. NF-1/2”SFC international standard: IEC60169-16: 1996

二. Connector

a. Material and plating :

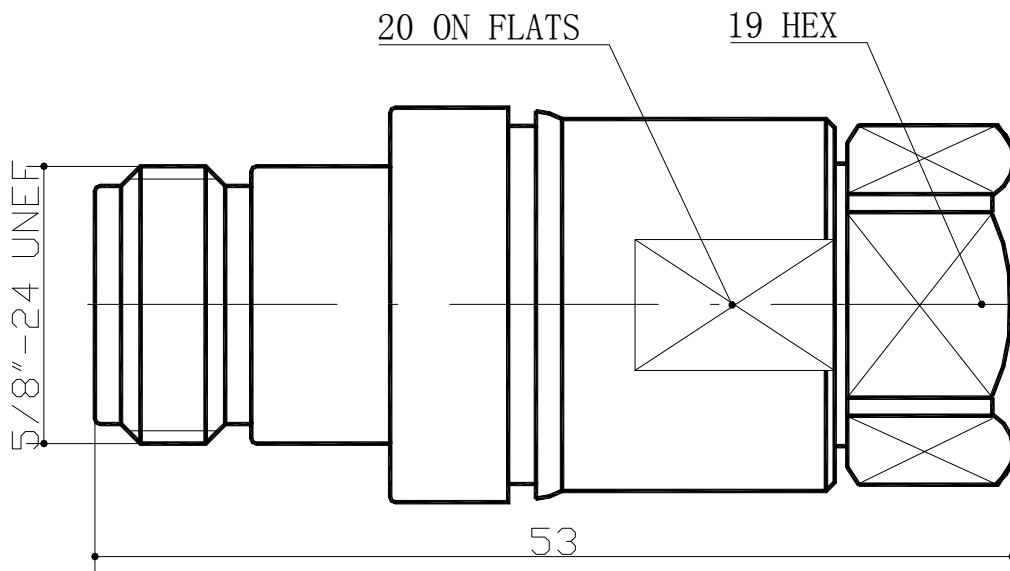
outer conductor material: C3602 Plating Copper tin-zin $>3\mu\text{m}$

inner conductor material: Qbe2 Plating Ag $>5\mu\text{m}$

insulator material: PTFE

b. Work conduction: Operating Temp.range (°C): -40~+85

c. Fig:



Amphenol

三.Spec:

Performance Specification	N type (AFA2-2)
Retention	$\geq 0.56N$
Torque	6N.m
Machine wear	>500
Screw cap pull	$>900N$
Insert loss (dB)	<0.05
Ac break down Voltage (Kv/50Hz)	2.5
Intermodulation (dBc)	≤ -163
Inner conductor plating	Plating Ag $>5\mu m$
Outer conductor plating	Plating Copper tin-zin $>3\mu m$
Connect resistance (m Ω)	Outer conductor <0.2
	Inner conductor <0.8
Insulation resistance (M Ω)	$>10^4$
Work Voltage (V)	1400
Screen efficiency (dB)	>110
VSWR (3G)	≤ 1.1
Operating Temp. ($^{\circ}C$)	-40 ~ +85
Impedance (Ω)	50
Surface	Surface smooth,,without burrs,rust and mechanical damage
Installation	Quick,convenient and safe
Product life	More than ten years