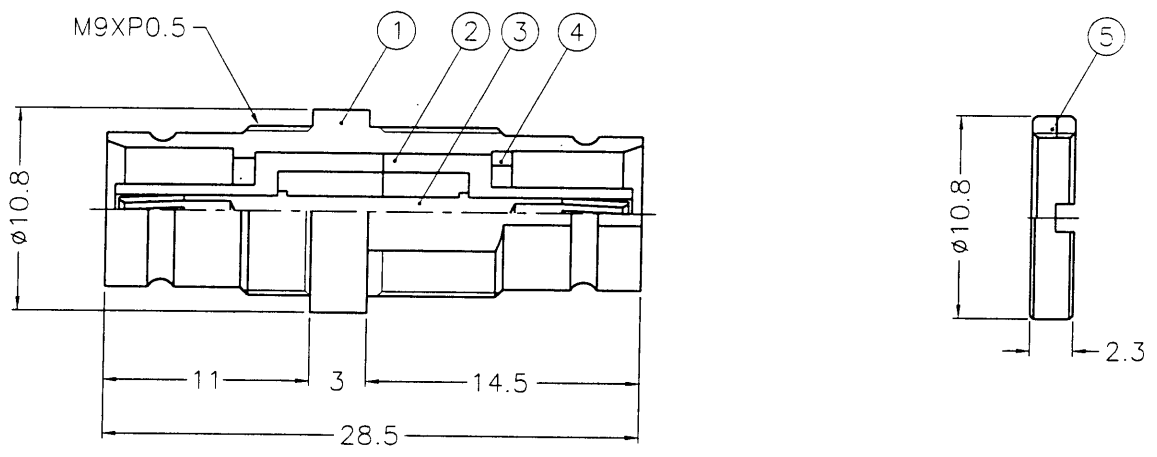


1 2 3 4 5 6 7 8

REVISIONS		
ISS	ZONE	DESCRIPTION\APPROVED\DATE

業務部



NOTES: FINISH (PLATING THICKNESS IN MICRO-INCHES)  
 1. BRASS PER QQ-B-626  
 2. NICKEL PL. 100 MIN. THICK OVER COPPER STRIKE  
 3. PHOSPHOR BRONZE PER QQ-B-750  
 4. GOLD PL. 3 MIN. THICK OVER NICKEL PL. 100 MIN. THICK OVER COPPER STRIKE  
 5. TEFLON MIL-P-19468

出圖  
87.12.04  
R&D

DIMENSIONS ARE IN MILLIMETERS				PART NO.	
UNLESS OTHERWISE SPECIFIED TOLERANCES				APPROVED <i>Golden</i> DATE 12-01-98'	
0.5-6 = ±0.2				CHECKED <i>Golden</i> DATE 12-01-98'	
6-30 = ±0.4				DRAWN <i>Kali</i> DATE 12-01-98'	
30-120 = ±0.6					
120-315 = ±1					
315-1000 = ±1.6					
1000-2000 = ±2.4					

**K** KAI JACK INDUSTRIAL CO., LTD.  
TAINAN TAIWAN R.O.C.

TITLE  
1.6/5.6 FEMALE TO FEMALE BULKHEAD ADAPTOR  
DRAWING NO.  
KJ-1567471A1-N/3GT3G-75  
FILE NO. F:\DWG\156\7471A1\75\N-3GT3G

NO.	DESCRIPTION	MATERIAL	FINISH	Q'TY	DRAWING NO.
5	NUT	NOTE 1	NOTE 2	1	RN108-9-05X23S
4	LOCK RING	NOTE 1	NOTE 4	1	S931-750-3
3	CONTACT PIN	NOTE 3	NOTE 4	1	1567471A1-3
2	INSULATOR	NOTE 5	NATURAL	2	1567471A1-2
1	BODY	NOTE 1	NOTE 4	1	1567471A1-1

1 2 3 4 5 6 7 8 81k6-2000